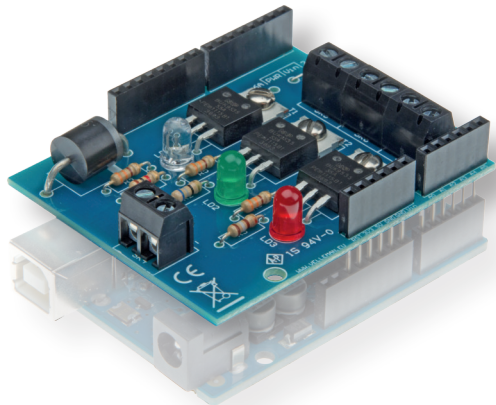


# VMA01

MANUAL HVMA01'1

## RGB Shield for Arduino®

velleman®  
MODULES



**Control 3 dimmer channels (1 x RGB or 3 single channels) with Arduino Uno™.**

### Features

- For use with Arduino Due™, Arduino Uno™, Arduino Mega™
- RGB indicator leds
- Screw terminals for led strip connection.
- With cascade connectors for other shields
- Selectable power supply: external power or power from Arduino Uno™ board

### Specifications

- Max. current: 2A/channel
- Max. input voltage: 50VDC
- Dimensions: 68 x 53mm / 2.67 x 2.08"



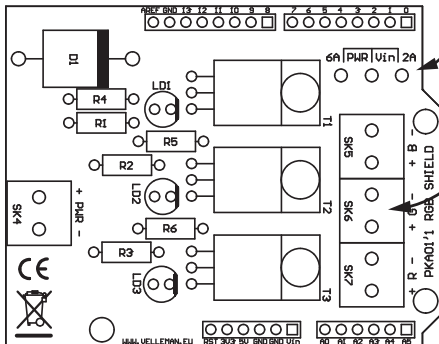


Participate our Velleman Projects Forum

6= Blue  
5= Green  
3= Red

**1 EXTERNAL POWER SUPPLY INPUT**

Max. 50VDC/6A

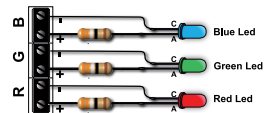
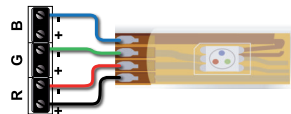


**2 SELECT POWER SOURCE**

**Vin:** Power from Arduino (max. 2A)

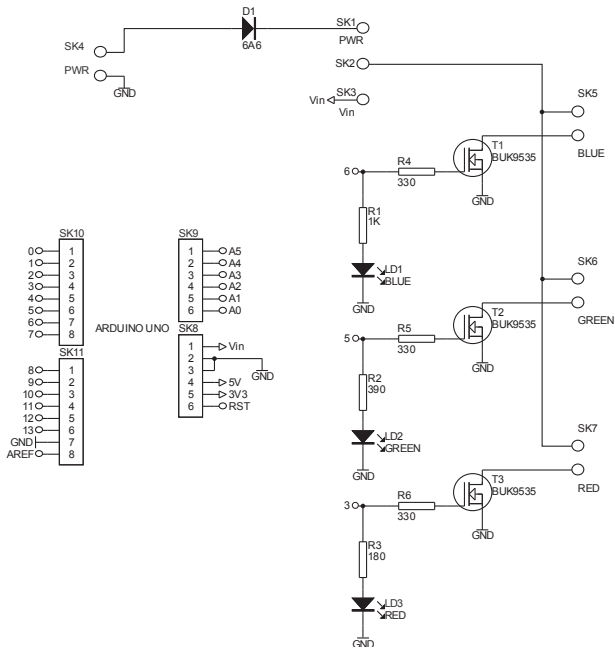
**PWR:** Power from external supply (max. 50VDC/6A)

**3 RGB OUTPUTS**



Current limit resistor

**DOWNLOAD SAMPLE CODE FROM KA01 PAGE ON  
WWW.VELLEMAN.BE**





The new Velleman Projects catalogue is  
now available. Download your copy here:  
[www.vellemanprojects.eu](http://www.vellemanprojects.eu)



5 410329 555719

Modifications and typographical errors reserved - © Velleman nv. HVMA01  
Velleman NV, Legen Heirweg 33 - 9890 Gavere.